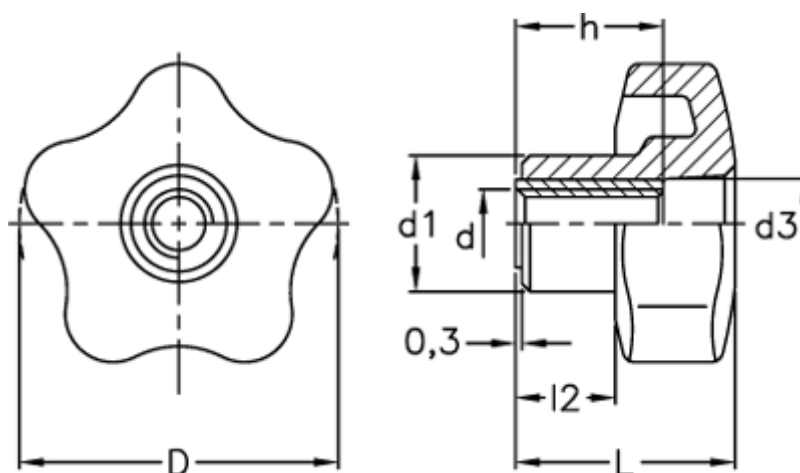


Data Sheet



Article number: 2302069956
Description: E+G Lobe knob
VCT.50 FP-M8

Measures



D	= 50
d1	= 19
d3	= 15
d 6H	= M8
h	= 20
L	= 32.0
l2	= 14